

the best regional partners

# S300-10AS

## Apollo Lake BOX PC



Apollo Lake



Fanless



Dual Display



Wide Temp.



Dual LAN

mSATA

mSATA



Wide Range DC-in



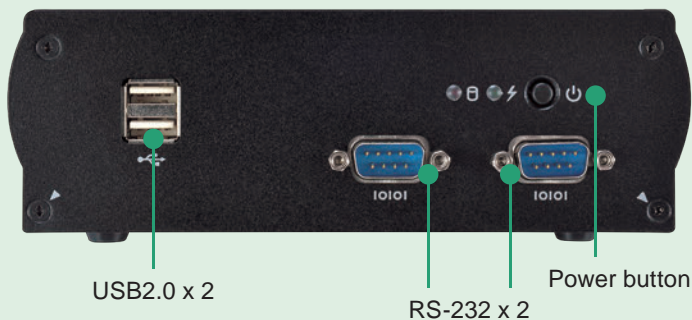
Full Regulation

## Introduction

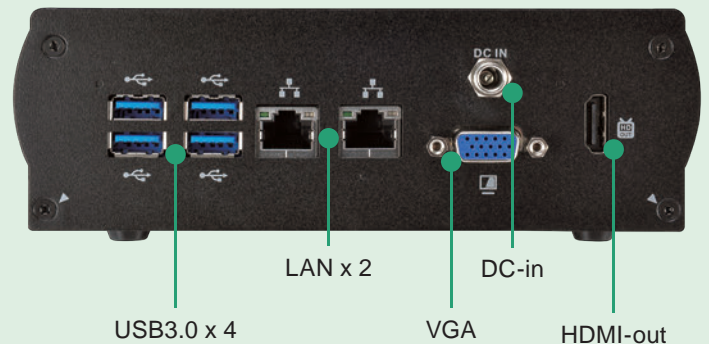
S300 is a fanless box pc, powered by the latest Intel Apollo Lake performance-enhanced processor. The whole system is less than 1.4 liter size but still with versatile I/O aiming to adapt it in different environments and wide applications.

## Interface

Front I/O



Rear I/O



# S300-10AS

Item	Spec	SKU-D	SKU-W
System	Form Factor	3.5" SBC Embedded, 102mm x 147mm	
	CPU	N3350 (Compatible with N4200)	E3930 (Compatible with E3940/E3950)
	Memory	1 x DDR3L-1867 SO-DIMM, up to 8GB *	
	Audio Controller	Realtek ALC662	
	SI/O	Nuvoton NCT6116D	
	LAN Support	Intel I210 + Intel I210 (10/100/1000 Mb/s) Ethernet LAN Controller	
	Storage	1 x mSATA *	
	Expansion	x 1 PCI Express Full-length Mini Card slot (For mSATA) x 1 M.2 2230 with PCIe x 1 / USB 2.0 signal	
	Front I/O	2 x USB 2.0, 2 x RS232, Power button, Power LED, HDD LED	
	Rear I/O	4-port USB 3.0, 2 x RJ45, 1 x VGA out, 1 x HDMI-out, 1 x DC-in	
Power	Input	8~24V Wide Range DC-in connectivity	
	Power Adapter (Accessories)	AC to DC 19V / 3.4A, 65W Adaptor	
Mechanical	Material	Top cover: Aluminum Alloy Bezel and chassis: Steel	
	Size (W x D x H)	147mm x 170mm x 55mm	
Environmental	Operating Temp.	0 ~ 50°C	0 ~ 50°C Option: -40°C ~ 60°C
	Operating Humidity	10% ~ 90% (relative, non-condensing)	
	Certification	CE/FCC	

\*Must use the wide-temp modules for SKU-W

## Application



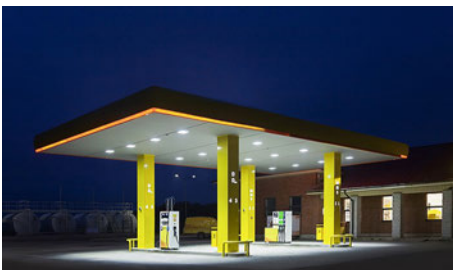
Manufacturing Automation



Digital Kiosk



Vending Machine



Gas Station Computing



Medical Embedded



Energy Controller